



Thru Conduit Gate Valve

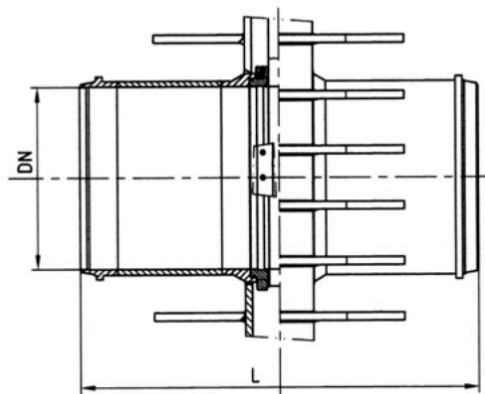
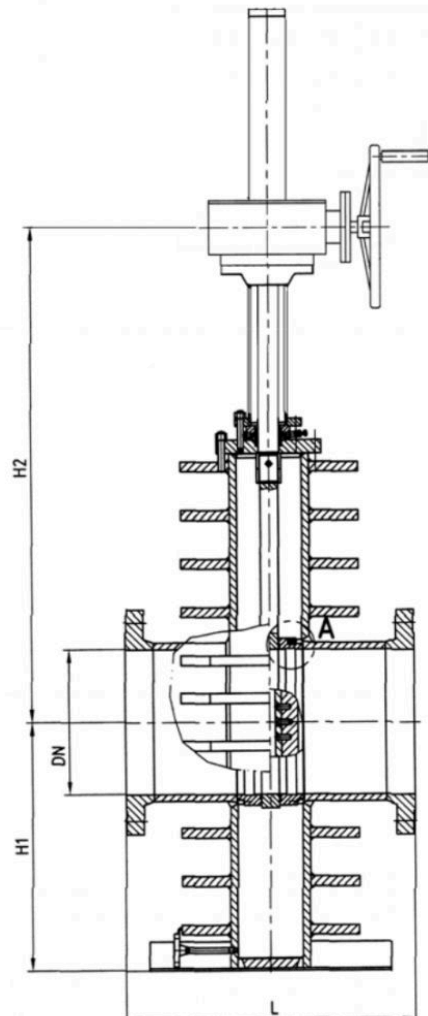
outside screw - arising stem

10/163

PN 16-100

Construction

- full port; design acc. API6D
- face to face acc. DIN3202-F7; ASME B16.10
- flanges acc. ASME B16.5 und EN1092-1
- welding ends acc. EN12627 / ASME B16.25
- other face to face dimensions and connections on request





Thru Conduit Gate Valve

outside screw - arising stem

10/163

PN 16-100

Dimensions

PN16, PN25			
DN	L	H1	H2
200	500*	380	810
250	550*	460	935
300	610*	535	1120
350	680*	610	1235
400	760*	685	1360
500	1150	865	1720
600	1350	1025	2020
700	1550	1170	2270
800	1750	1310	2560
900	1950	1460	2820
1000	2150	1600	3130
1200	2200*	1800	3510

PN40			
DN	L	H1	H2
200	550	380	810
250	650	460	935
300	750	535	1120
350	850	610	1235
400	950	685	1360
500	1150	875	1730
600	1350	1080	2100
700	1550	1220	2375
800	1750	1345	2610
900	1950	1480	2880
1000	2150	1620	3150

*) acc. to production standard

PN63			
DN	L	H1	H2
200	550	380	810
250	650	460	935
300	750	535	1120
350	850	610	1235
400	950	685	1360
500	1150	875	1720
600	1350	1090	2020
700	1550	1240	2390
800	1750	1340	2620

PN100			
DN	L	H1	H2
200	550	380	810
250	650	460	935
300	750	535	1120
350	-	-	-
400	950	685	1360
500	1150	885	1150

4 - Gate Valves

4 - Gate Valves

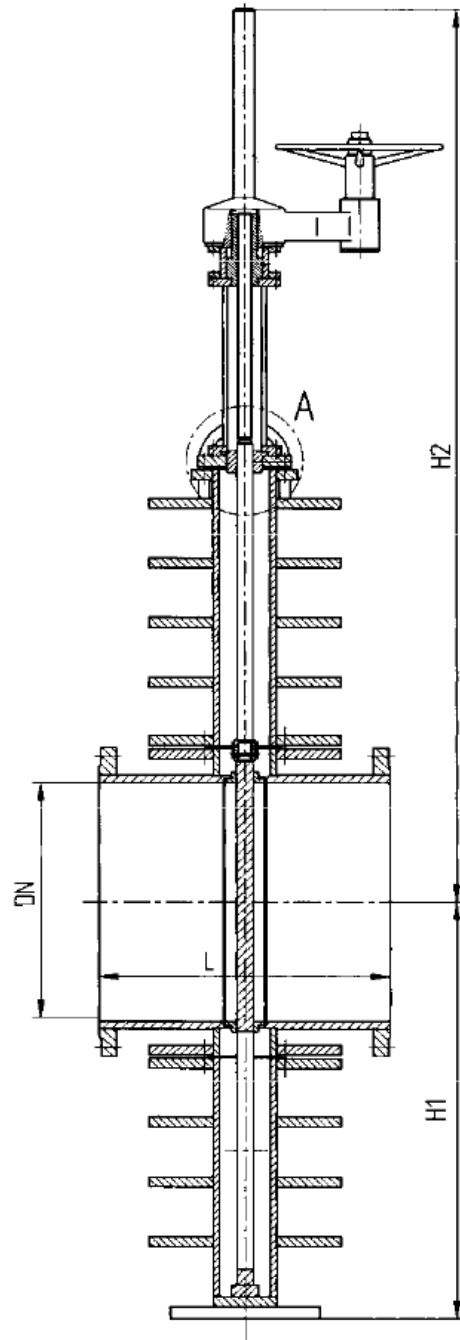
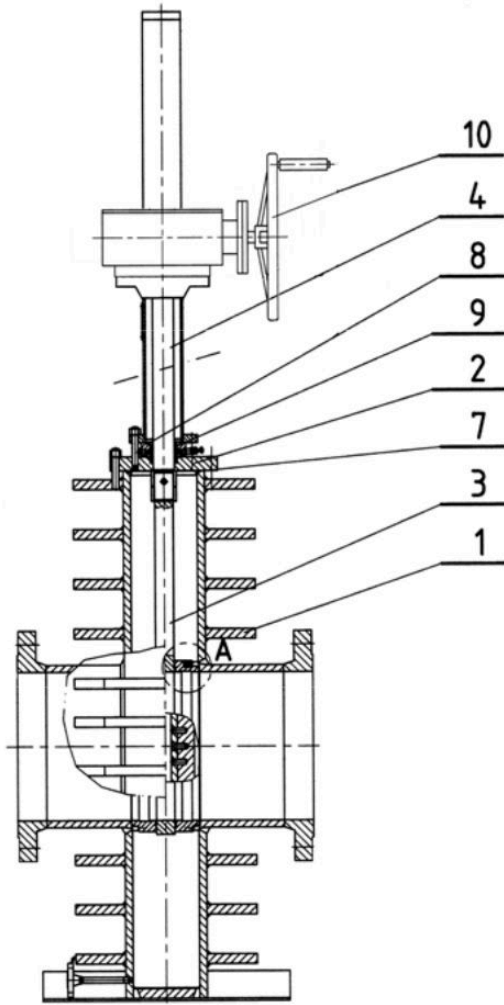


Thru Conduit Gate Valve

outside screw - arising stem

10/163

PN 16-100



split body design

*) alternative material and designs on request

*) ENP=Electronickesplated; or galvanisedl

4 - Gate Valves

4 - Gate Valves

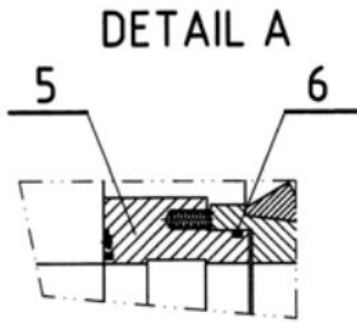


Thru Conduit Gate Valve

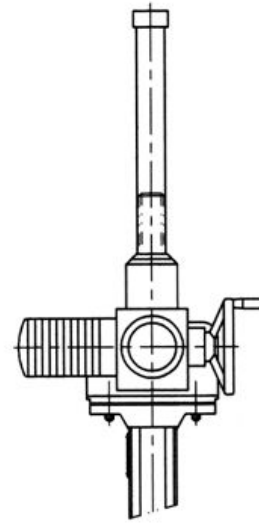
outside screw - arising stem

10/163

PN 16-100



seat heating



10/163-1003/E, 10/163-1003/SE/E

with mounted actuator

4 - Gate Valves

4 - Gate Valves

Material		
Pos.	Part	Material
1	Body	P355N (1.0562); S235JRG2 (1.0038)
2	Cover	P355N (1.0562); S235JRG2 (1.0038)
3	Disc gate	P355N (1.0562); S235JRG2 (1.0038)+ENP**; 1.4301; 1.4021
4	Stem	X20Cr13 (1.4021)
5	Seat ring	P355N (1.0562); stainless steel
6	O-ring	FKM / NBR
7	O-ring	FKM / NBR
8	Among peace	P355N (1.0562); S235JRG2 (1.0038)
9	Packing	Graphite, PTFE / FKM
10	Handwheel	Steel

*) alternative material and designs on request

*) ENP=Electronickesplated; or galvanisedl

Special design

- reduced port
- drain valve
- spring loaded seat ring
- stem seal with fest connection