



## Wedge Gate Valve

inside screw

10/101, 10/161, 10/251, 10/401, 10/641

PN 10, 16, 25, 40, 63

### Design

- non rising stem
- basic design acc. DIN3230
- face to face dimension acc. DIN3202

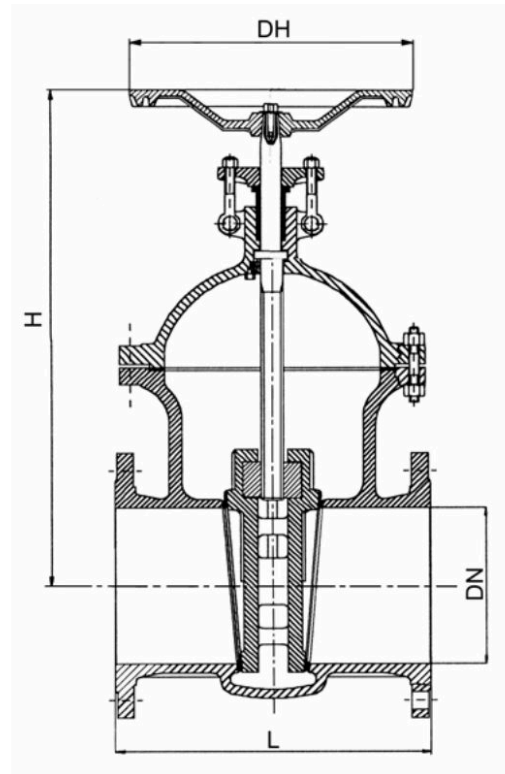
### Application

- for liquid and gaseous media
- pressure-temperature rating acc. DIN2401

### Connection

- flanges acc. DIN2501
- butt welding ends DIN3239-T1

Typ	PN
10/101	10
10/161	16
10/251	25
10/401	40
10/641	63





## Wedge Gate Valve

inside screw

10/101, 10/161, 10/251, 10/401, 10/641

PN 10, 16, 25, 40, 63

Dimensions					
DN	PN10 / PN16 / PN25			PN10/16	PN25
	L / L1	H	DH	kg	kg
40	240	260	178	16	17
50	250	330	229	27	28
65	270	330	229	32	34
80	280	360	254	42	45
100	300	385	254	52	60
125	325	505	356	72	93
150	350	520	356	103	113
200	400	620	356	147	174
250	150	750	406	215	268
300	500	1000	508	323	410
350	550	1190	508	461	586
400	600	1360	559	623	892
450	650	1460	660	708	1218
500	700	1585	660	921	1458
600	800	1785	762	1282	2123
700	900	2100	838	3168	3563
800	1000	2340	838	3686	4479

Dimensions								
DN	PN40				PN63			
	L / L1	H	DH	kg	L / L1	H	DH	kg
40	240	260	178	19	240	260	229	23
50	250	330	229	30	250	355	229	35
65	290	360	229	36	290	360	229	46
80	310	380	305	47	310	380	305	59
100	350	385	305	68	350	430	305	81
125	400	505	356	105	400	505	356	114
150	450	520	356	123	450	680	406	176
200	550	620	406	201	550	750	508	271
250	650	750	508	322	650	860	660	451
300	750	1000	660	712	850	1250	660	627
350	850	1250	660	712	850	1250	660	884
400	950	1360	762	1162	950	1650	838	1278
450	1050	1650	762	1729	1050	1700	838	2205
500	1150	1750	838	1995	1150	1750	838	2441
600	1350	1800	838	2964	1350	1800	838	4133
700	1550	3420	600	3724	1550	3520	600	5510
800	1750	3520	800	5272	1750	3520	800	7078

4 - Gate Valves

4 - Gate Valves

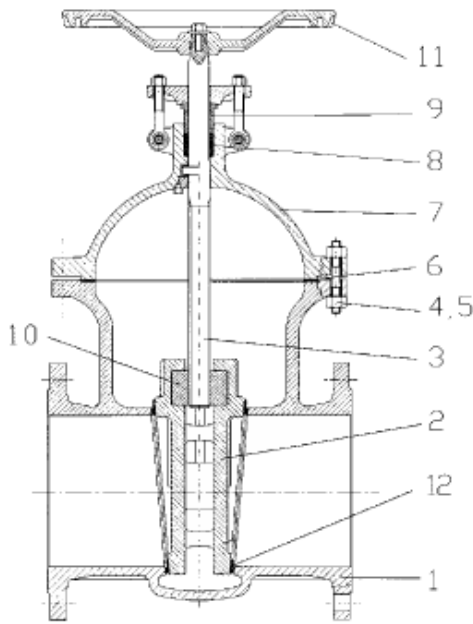


## Wedge Gate Valve

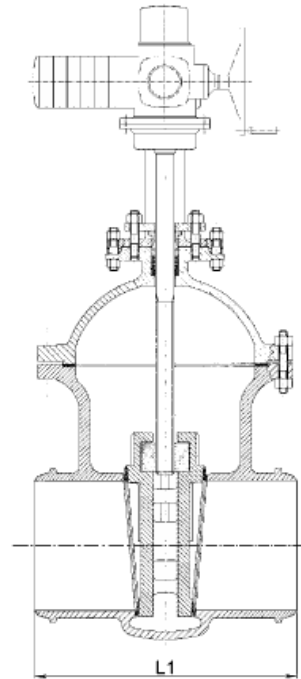
inside screw

10/101, 10/161, 10/251, 10/401, 10/641

PN 10, 16, 25, 40, 63



Grundausführung



Ausführung mit Schweißenden, Bügelaufsatz und Elektroantrieb

4 - Gate Valves

4 - Gate Valves

Materials			
Pos.	Designation	Material	
		Standard	Low temp. serv.
1	Body	GP240GH	G18Mo5
2	Wedge	G20Mo5	G18Mo5
3	Stem	X10Cr13	X10CrNiTi18-9
4	Stud	42CrMo4	42CrMo4
5	Nut	Ck45	24CrMo5
6	Gasket	Graphite	Graphite
7	Bonnet	GP240GH	G18Mo5
8	Packing	Graphite	Graphite
9	Gland	Ck25	15Mo3
10	Stem nut	Brass	Brass
11	Handwheel	GG	GG
12	Seat	min 13%Cr	min 13%Cr

other materials on request

### Special design

- with yoke