



High-Pressure Gate Valve

outside screw

10/1004

PN 100/160/250

Design and application

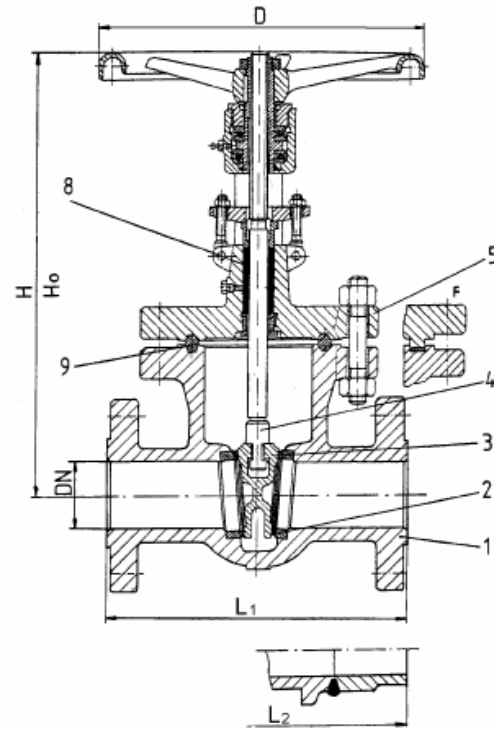
- flexible wedge, outside screw rising stem
- exchangeable seat rings
- stuffing box with lantern and lubrication plug
- rating acc. to DIN2401 / ASME B16.34

Connection

- flanges acc. to DIN2501
- butt welding ends acc. to DIN3239, EN12627

Betätigung

- hand wheel / gear operated
- electric actuator
- hydraulic actuator



Materials						
Pos.	Designation	material set No.				
		1	2	4	6	7
1	Body	GS-C25	1.7357	1.7363		
2	Seat	C22	1.7335	1.7362		
3	Gate	GS-C25	1.7357	1.7363	fully stainless steel design on request	
4	Stem	1.4021	1.4122	1.4122		
5	Bonnet	GS-C25	1.7357	1.7363		
8	Stem gasket				Graphite	
9	Body-bonnet gasket				stainless steel	
-	Seat ring surface				stainless steel	
-	Wedge seat surface				stainless steel	

4 - Gate Valves

4 - Gate Valves



High-Pressure Gate Valve

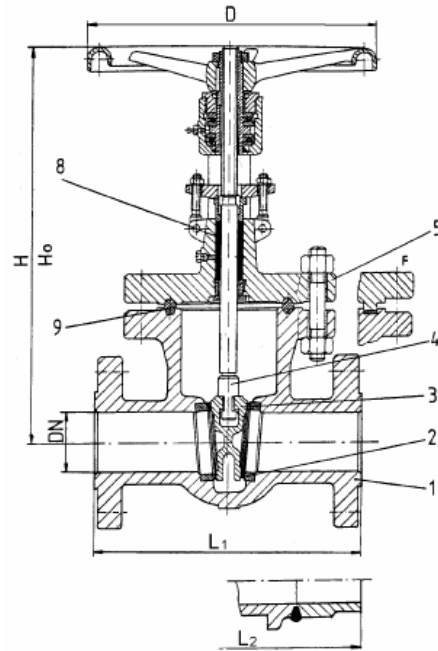
outside screw

10/1004

PN 100/160/250

Accessories

- electric position indicator
- local position indicator
- locking device
- stem extension
- chain wheel



Dimensions [mm]

PN 100										
DN	50	65	80	100	150	200	250	300	350	400
D	250	250	250	300	450	500	600	700	800	900
L1	250	290	310	350	450	550	650	750	850	950
L2	350	390	410	450	550	650	750	850	950	1050
H	410	440	480	550	760	916	1080	1225	1360	1550
Ho	465	520	570	657	915	1126	1350	1550	1720	1970
M1 [kg]	42	64	75	104	250	390	611	979	1134	1453
M2 [kg]	37	39	65	94	230	365	540	919	1047	1373

PN 160						
DN	50	65	80	100	150	200
D	360	500	500	500	560	800
L1	300	360	390	450	600	750
L2	400	460	490	550	700	850
H	470	623	630	675	840	945
Ho	525	700	730	770	1003	1160
M1 [kg]	57	140	153	187	344	489
M2 [kg]	48	129	133	173	312	452

PN 250				
DN	65	80	100	150
D	180	200	235	320
L1	425	470	550	750
L2	525	570	650	850
H	643	730	775	934
Ho	730	835	899	1114
M1 [kg]	165	258	339	689

L1, M1: flanged ends

L2, M2: butt welding ends